

DIESEL GENERATOR

FUEL OPTIMISED

ELECTRICAL

Frequency (Hz)	Phases	Voltage (V)	Prime		Standby		MCB Rating (A)	Minimum ATP Rating (A)	Rated Speed (RPM)
			kVA	kW	kVA	kW			
50	3	400/230V	7.8	6.24	8.4	6.72	10	30	1500
60	3	380/220V	10.8	8.6	11.6	9.3	16	30	1800
60	3	220/127V	10.8	8.6	11.6	9.3	25	30	1800
60	3	480/277V	10.8	8.6	11.6	9.3	20	30	1800

POWER FACTOR

3 Phase	0.8
1 Phase	1

MAXIMUM LOAD IMPACT*

kVA	8.30
kW	6.60

*With 20% voltage and 10% frequency deviation @ 50Hz, 400V

ALL RATINGS ARE TO STANDARD REFERENCE CONDITIONS ISO 8528

Prime: This rating is for the supply of continuous electrical power, at variable load, in lieu of commercially purchase power. There is no limitation on the annual hours of operation and 10% over load power can be supplied for 1 hour in 12.

Standby: This rating is for the supply of continuous electrical power, at variable load, in the event of a utility power failure. No overload is permitted.

"Stage IIIa" models are only emissions compliant at 50Hz Prime Power in accordance with 97-68EC.

CANOPY/SKID

Lockable Maintenance Access Doors	●
Control Panel Viewing Window	●
Fork Pockets	●
Single Lift Point	x
Rental Sledging Base	x
Bunding	●
Open Frame	x
Bund Level Indicator	Δ
50mm Rock Wool Sound Insulation	●
Yellow Paint	●
Red Paint	Δ
White Paint	Δ

Standard: ● Not Available: x Optional: Δ

ALTERNATOR G8QX

Poles	4
Winding Connections	Star (3Ph) / Parallel (1Ph)
Insulation	Class H
Enclosure	IP23
Exciter System	Self-excited, brushless
Voltage Regulator	A.V.R. (electronic)
Steady State Voltage Regulation	+/- 1.0%
Bearing	Single Bearing
Coupling	Flexible Disc
Cooling	Direct drive centrifugal blower fan
Coating	Winding Protection Standard

STARTING SYSTEM

Starter Motor	kW	1.10
Battery Capacity	Ah	66
Number of Batteries		1
Auxiliary Voltage	V	12

ENGINE

1500 RPM		
Output Rating (PRP)	kW	8.20
Output Rating (Standby)	kW	9.00
1800 RPM		
Output Rating (PRP)	kW	10.70
Output Rating (Standby)	kW	11.77
Manufacturer and Model	Yanmar 3TNV76GGEH	
Fuel	Diesel	
Injection	Indirect	
Aspiration	Natural	
Cylinders	3	
Bore and Stroke	mm	76x82
Displacement	L	1.116
Cooling	Water	
Engine Oil Specification	SEA 3 class 10W30 / API grade CD,CF	
Compression Ratio	23.5:1	
Engine Oil Capacity	L	3.50
Coolant Capacity	L	3.70
Governor	Mechanical	
Air Filter	Dry	
Engine Oil Consumption	100% Load	0.27 g/kWh

FUEL SYSTEM

Diesel Specification		EN590
Standard Fuel Tank Capacity	L	23

FUEL TANK OPTIONS

	Material	Capacity (L)
Standard Tank	Plastic	23
Tank Option 1	Steel	100
Tank Option 2		

FUEL CONSUMPTION

100% Load Prime	L/h	50Hz	2.62
75% Load Prime	L/h		1.98
50% Load Prime	L/h		1.49
100% Load Standby	L/h		2.88
100% Load Prime	L/h	60Hz	3.20
75% Load Prime	L/h		2.45
50% Load Prime	L/h		1.89
100% Load Standby	L/h		3.42

EXHAUST SYSTEM

Maximum Temperature 100% Standby	°C	50Hz	390.00
Exhaust Gas Flow 100% Standby	m ³ /min		2.08
Maximum Allowed Back Pressure	mbar		9.80
Maximum Temperature 100% Standby	°C	60Hz	425.00
Exhaust Gas Flow 100% Standby	m ³ /min		2.60
Maximum Allowed Back Pressure	mbar		9.80
Exhaust Flange Size	mm	50.00	

AIR SYSTEM

Intake Air Flow 100% Standby	m ³ /h	50Hz	45.16
Total Cooling Air Flow 100% Standby	m ³ /s		0.583
Alternator Fan Airflow	m ³ /s		0.09
Intake Air Flow 100% Standby	m ³ /h	60Hz	54.19
Total Cooling Air Flow 100% Standby	m ³ /s		0.693
Alternator Fan Airflow	m ³ /s		0.108

SOUND PRESSURE (CANOPY ONLY)

LpA (7m)	50Hz	dB(A)	62
LpA (7m)	60Hz	dB(A)	64

MECHANICAL FEATURES

Cooling Pack	●
Air Filter	●
Mechanical Governor	●
Electronic Governor	x
High Coolant Temperature Sender	●
Low Oil Pressure Sender	●
Advanced Coolant Temperature Sender	x
Advanced Oil Pressure Sender	x
Oil Temperature Sender	x
Water Level Sender	x
Radiator Guards	●
Hot Component Guards	●
Manual Oil Drain Pump (Canopy)	●
Water Jacket Heater	x
Manual Fuel Fill	Δ
Electric Fuel Fill	x
Racor Fuel Filter (No Alarm)	x
Racor Fuel Filter (With Alarm)	x
Pre-Filter with Separator	x
External Spark Arrestor	Δ
Fuel Level Sender	●
Fuel Heater	x
External Fuel Fill (Belly Tank)	x
3 Way Fuel Valve and Coupling Nest	x
Residential Silencer	●
Industrial Silencer	x

Standard: ● Not Available: x Optional: Δ

ELECTRICAL FEATURES

AVR DSR	●
AVR DER	x
Winding Protection Standard	●
Winding Protection Standard +	Δ
Winding Protection Grey	Δ
Winding Protection Total	Δ
Winding Protection Total +	Δ
MAUX	●
PMG	Δ
Anti-Condensation Heater	Δ
Miniature Circuit Breaker (Integrated busbar)	●
Moulded Case Circuit Breaker (with integrated busbar)	x
Earth Leakage Protection (Shunt Trip)	●
Synchronisation	x
Socket Box (inclusive of heavy duty busbar & micro switch)	x
Preparation for Earth Spike	●
Optional Voltages	Δ
Remote Screen	x
Panel Door Micro Switch	x
Copper Busbar/Tails	x
Emergency Stop Button	x
External Emergency Stop Button	●

Standard: ● Not Available: x Optional: Δ

BATTERY FEATURES

Battery Isolator	Δ
Battery Type	Dry
Battery Size (Ah)	66
Number of Batteries	1
Optional Battery	Wet
Battery Charger	x

Standard: ● Not Available: x Optional: Δ

JCB COMMUNICATION AND CONTROL

KS1	Δ
CPI	●
CP2	Δ
ATP	Δ
CAN/USB	x
CAN/LAN	x
CAN RS-232	x
Remote Modem	x

Standard: ● Not Available: x Optional: Δ

WEIGHT AND DIMENSIONS

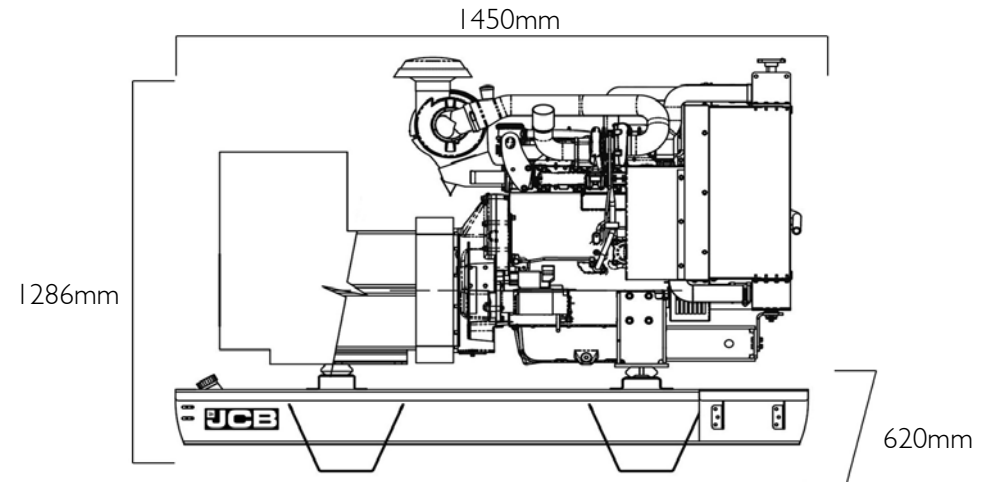
Length	mm	1475
Width	mm	750
Height	mm	1275
Shipping Volume (sea ready)	m ³	1.41
Weight*	Kg	562.00

**Standard build with all fluids except fuel*

REFERENCE STANDARDS

JCB Generators are CE certified and conform to the following Directives (subject to a country requiring such standard):

- EN 12100, EN13857, EN60204
 - 2006/42/CE Machinery safety
 - 2006/95/EC Low voltage
 - 2004/108/CE Electromagnetic compatibility
 - 2000/14/EC Sound Power Level (amended by 2005/88/EC)
 - 97/68/EC Emissions(amended by 2002/88/EC & 2004/26/EC)
 - Power according to ISO 8528 and ISO 3046
 - Ambient reference conditions 1000mbar, 25°C, 30% relative humidity ISO3046
- Information based on standard specification equipment unless otherwise stated.



DIESEL GENERATOR

FUEL OPTIMISED

ELECTRICAL

Frequency (Hz)	Phases	Voltage (V)	Prime		Standby		MCB Rating (A)	Minimum ATP Rating (A)	Rated Speed (RPM)
			kVA	kW	kVA	kW			
50	3	400/230V	7.8	6.24	8.4	6.72	10	30	1500
60	3	380/220V	10.8	8.6	11.6	9.3	16	30	1800
60	3	220/127V	10.8	8.6	11.6	9.3	25	30	1800
60	3	480/277V	10.8	8.6	11.6	9.3	20	30	1800

POWER FACTOR

3 Phase	0.8
1 Phase	1

MAXIMUM LOAD IMPACT*

kVA	8.30
kW	6.60

*With 20% voltage and 10% frequency deviation @ 50Hz, 400V

ALL RATINGS ARE TO STANDARD REFERENCE CONDITIONS ISO 8528

Prime: This rating is for the supply of continuous electrical power, at variable load, in lieu of commercially purchase power. There is no limitation on the annual hours of operation and 10% over load power can be supplied for 1 hour in 12.

Standby: This rating is for the supply of continuous electrical power, at variable load, in the event of a utility power failure. No overload is permitted.

"Stage IIIa" models are only emissions compliant at 50Hz Prime Power in accordance with 97-68EC.

CANOPY/SKID

Lockable Maintenance Access Doors	x
Control Panel Viewing Window	x
Fork Pockets	●
Single Lift Point	x
Rental Sledging Base	x
Bunding	Δ
Open Frame	●
Bund Level Indicator	x
50mm Rock Wool Sound Insulation	x
Yellow Paint	x
Red Paint	x
White Paint	x

Standard: ● Not Available: x Optional: Δ

ALTERNATOR G8X

Poles	4
Winding Connections	Star (3Ph) / Parallel (1Ph)
Insulation	Class H
Enclosure	IP23
Exciter System	Self-excited, brushless
Voltage Regulator	A.V.R. (electronic)
Steady State Voltage Regulation	+/- 1.0%
Bearing	Single Bearing
Coupling	Flexible Disc
Cooling	Direct drive centrifugal blower fan
Coating	Winding Protection Standard

STARTING SYSTEM

Starter Motor	kW	1.10
Battery Capacity	Ah	66
Number of Batteries		1
Auxiliary Voltage	V	12

ENGINE

1500 RPM		
Output Rating (PRP)	kW	8.20
Output Rating (Standby)	kW	9.00
1800 RPM		
Output Rating (PRP)	kW	10.70
Output Rating (Standby)	kW	11.77
Manufacturer and Model	Yanmar 3TNV76GGEH	
Fuel	Diesel	
Injection	Indirect	
Aspiration	Natural	
Cylinders	3	
Bore and Stroke	mm	76x82
Displacement	L	1.116
Cooling	Water	
Engine Oil Specification	SEA 3 class 10W30 / API grade CD,CF	
Compression Ratio	23.5:1	
Engine Oil Capacity	L	3.50
Coolant Capacity	L	3.70
Governor	Mechanical	
Air Filter	Dry	
Engine Oil Consumption	100% Load	0.27 g/kWh

FUEL SYSTEM

Diesel Specification		EN590
Standard Fuel Tank Capacity	L	60

FUEL TANK OPTIONS

	Material	Capacity (L)
Standard Tank	Plastic	60
Tank Option 1		
Tank Option 2		

FUEL CONSUMPTION

Load Condition	Unit	Frequency	Consumption
100% Load Prime	L/h	50Hz	2.62
75% Load Prime	L/h		1.98
50% Load Prime	L/h		1.49
100% Load Standby	L/h		2.88
100% Load Prime	L/h	60Hz	3.20
75% Load Prime	L/h		2.45
50% Load Prime	L/h		1.89
100% Load Standby	L/h		3.42

EXHAUST SYSTEM

Parameter	Unit	Frequency	Value
Maximum Temperature 100% Standby	°C	50Hz	390.00
Exhaust Gas Flow 100% Standby	m ³ /min		2.08
Maximum Allowed Back Pressure	mbar		9.80
Maximum Temperature 100% Standby	°C	60Hz	425.00
Exhaust Gas Flow 100% Standby	m ³ /min		2.60
Maximum Allowed Back Pressure	mbar		9.80
Exhaust Flange Size	mm	50.00	

AIR SYSTEM

Parameter	Unit	Frequency	Value
Intake Air Flow 100% Standby	m ³ /h	50Hz	45.16
Total Cooling Air Flow 100% Standby	m ³ /s		0.583
Alternator Fan Airflow	m ³ /s		0.09
Intake Air Flow 100% Standby	m ³ /h	60Hz	54.19
Total Cooling Air Flow 100% Standby	m ³ /s		0.693
Alternator Fan Airflow	m ³ /s		0.108

SOUND PRESSURE (CANOPY ONLY)

Measurement	Frequency	Unit	Value
LpA (7m)	50Hz	dB(A)	N/A
LpA (7m)	60Hz	dB(A)	N/A

MECHANICAL FEATURES

Cooling Pack	●
Air Filter	●
Mechanical Governor	●
Electronic Governor	x
High Coolant Temperature Sender	●
Low Oil Pressure Sender	●
Advanced Coolant Temperature Sender	x
Advanced Oil Pressure Sender	x
Oil Temperature Sender	x
Water Level Sender	x
Radiator Guards	●
Hot Component Guards	●
Manual Oil Drain Pump (Canopy)	●
Water Jacket Heater	Δ
Manual Fuel Fill	Δ
Electric Fuel Fill	Δ
Racor Fuel Filter (No Alarm)	x
Racor Fuel Filter (With Alarm)	x
Pre-Filter with Separator	x
External Spark Arrestor	x
Fuel Level Sender	●
Fuel Heater	Δ
External Fuel Fill (Belly Tank)	●
3 Way Fuel Valve and Coupling Nest	x
Residential Silencer	Δ
Industrial Silencer	●

Standard: ● Not Available: x Optional: Δ

ELECTRICAL FEATURES

AVR DSR	●
AVR DER	x
Winding Protection Standard	●
Winding Protection Standard +	Δ
Winding Protection Grey	Δ
Winding Protection Total	Δ
Winding Protection Total +	Δ
MAUX	●
PMG	Δ
Anti-Condensation Heater	Δ
Miniature Circuit Breaker (Integrated busbar)	●
Moulded Case Circuit Breaker (with integrated busbar)	x
Earth Leakage Protection (Shunt Trip)	●
Synchronisation	x
Socket Box (inclusive of heavy duty busbar & micro switch)	x
Preparation for Earth Spike	●
Optional Voltages	Δ
Remote Screen	Δ
Panel Door Micro Switch	x
Copper Busbar/Tails	Δ
Emergency Stop Button	●
External Emergency Stop Button	x
Standard: ● Not Available: x Optional: Δ	

BATTERY FEATURES

Battery Isolator	Δ
Battery Type	Dry
Battery Size (Ah)	66
Number of Batteries	1
Optional Battery	Wet
Battery Charger	Δ
Standard: ● Not Available: x Optional: Δ	

JCB COMMUNICATION AND CONTROL

KS1	Δ
CPI	●
CP2	Δ
ATP	Δ
CAN/USB	x
CAN/LAN	x
CAN RS-232	x
Remote Modem	x
Standard: ● Not Available: x Optional: Δ	

WEIGHT AND DIMENSIONS

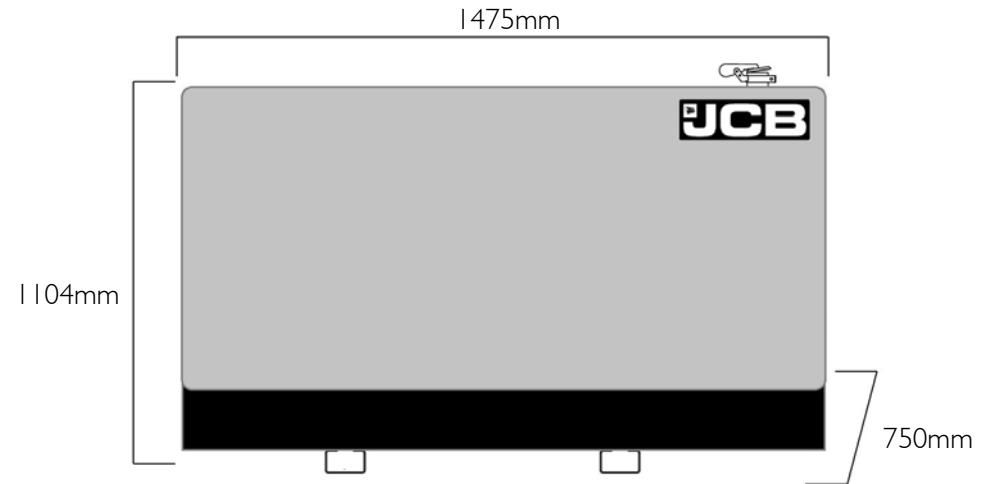
Length	mm	1450
Width	mm	620
Height	mm	1286
Shipping Volume (sea ready)	m ³	1.16
Weight*	Kg	279.00

**Standard build with all fluids except fuel*

REFERENCE STANDARDS

JCB Generators are CE certified and conform to the following Directives (subject to a country requiring such standard):

- EN 12100, EN13857, EN60204
 - 2006/42/CE Machinery safety
 - 2006/95/EC Low voltage
 - 2004/108/CE Electromagnetic compatibility
 - 2000/14/EC Sound Power Level (amended by 2005/88/EC)
 - 97/68/EC Emissions(amended by 2002/88/EC & 2004/26/EC)
 - Power according to ISO 8528 and ISO 3046
 - Ambient reference conditions 1000mbar, 25°C, 30% relative humidity ISO3046
- Information based on standard specification equipment unless otherwise stated.



DIESEL GENERATOR

FUEL OPTIMISED

ELECTRICAL

Frequency (Hz)	Phases	Voltage (V)	Prime		Standby		MCB Rating (A)	Minimum ATP Rating (A)	Rated Speed (RPM)
			kVA	kW	kVA	kW			
50	3	400/230V	13.3	10.64	14.3	11.44	20	30	1500
60	3	380/220V	16.1	12.9	17.5	14.0	25	30	1800
60	3	220/127V	15.0	12.0	16.3	13.0	40	40	1800
60	3	480/277V	16.1	12.9	17.5	14.0	25	30	1800

POWER FACTOR

3 Phase	0.8
1 Phase	1

MAXIMUM LOAD IMPACT*

kVA	12.50
kW	10.00

*With 20% voltage and 10% frequency deviation @ 50Hz, 400V

ALL RATINGS ARE TO STANDARD REFERENCE CONDITIONS ISO 8528

Prime: This rating is for the supply of continuous electrical power, at variable load, in lieu of commercially purchase power. There is no limitation on the annual hours of operation and 10% over load power can be supplied for 1 hour in 12.

Standby: This rating is for the supply of continuous electrical power, at variable load, in the event of a utility power failure. No overload is permitted.

"Stage IIIa" models are only emissions compliant at 50Hz Prime Power in accordance with 97-68EC.

CANOPY/SKID

Lockable Maintenance Access Doors	●
Control Panel Viewing Window	●
Fork Pockets	●
Single Lift Point	x
Rental Sledging Base	x
Bunding	●
Open Frame	x
Bund Level Indicator	Δ
50mm Rock Wool Sound Insulation	●
Yellow Paint	●
Red Paint	Δ
White Paint	Δ
Standard: ● Not Available: x Optional: Δ	

ALTERNATOR GI3QX

Poles	4
Winding Connections	Star (3Ph) / Parallel (1Ph)
Insulation	Class H
Enclosure	IP23
Exciter System	Self-excited, brushless
Voltage Regulator	A.V.R. (electronic)
Steady State Voltage Regulation	+/- 1.0%
Bearing	Single Bearing
Coupling	Flexible Disc
Cooling	Direct drive centrifugal blower fan
Coating	Winding Protection Standard

STARTING SYSTEM

Starter Motor	kW	1.10
Battery Capacity	Ah	66
Number of Batteries		1
Auxiliary Voltage	V	12

ENGINE

1500 RPM		
Output Rating (PRP)	kW	13.20
Output Rating (Standby)	kW	14.52
1800 RPM		
Output Rating (PRP)	kW	16.20
Output Rating (Standby)	kW	17.82
Manufacturer and Model		Yanmar 3TNV88BGGEH
Fuel		Diesel
Injection		Indirect
Aspiration		Natural
Cylinders		3
Bore and Stroke	mm	88x90
Displacement	L	1.642
Cooling		Water
Engine Oil Specification		SEA 3 class 10W30 / API grade CD,CF
Compression Ratio		19.1:1
Engine Oil Capacity	L	6.70
Coolant Capacity	L	4.80
Governor		Mechanical
Air Filter		Dry
Engine Oil Consumption	100% Load	0.27 g/kWh

FUEL SYSTEM

Diesel Specification		EN590
Standard Fuel Tank Capacity	L	23

FUEL TANK OPTIONS

	Material	Capacity (L)
Standard Tank	Plastic	23
Tank Option 1	Steel	100
Tank Option 2		

FUEL CONSUMPTION

100% Load Prime	L/h	50Hz	3.18
75% Load Prime	L/h		2.50
50% Load Prime	L/h		1.80
100% Load Standby	L/h		3.51
100% Load Prime	L/h	60Hz	4.02
75% Load Prime	L/h		3.06
50% Load Prime	L/h		2.25
100% Load Standby	L/h		4.60

EXHAUST SYSTEM

Maximum Temperature 100% Standby	°C	50Hz	390.00
Exhaust Gas Flow 100% Standby	m ³ /min		2.08
Maximum Allowed Back Pressure	mbar		9.80
Maximum Temperature 100% Standby	°C	60Hz	500.00
Exhaust Gas Flow 100% Standby	m ³ /min		4.03
Maximum Allowed Back Pressure	mbar		12.70
Exhaust Flange Size	mm	50.00	

AIR SYSTEM

Intake Air Flow 100% Standby	m ³ /h	50Hz	66.50
Total Cooling Air Flow 100% Standby	m ³ /s		0.70
Alternator Fan Airflow	m ³ /s		0.09
Intake Air Flow 100% Standby	m ³ /h	60Hz	79.80
Total Cooling Air Flow 100% Standby	m ³ /s		0.753
Alternator Fan Airflow	m ³ /s		0.108

SOUND PRESSURE (CANOPY ONLY)

LpA (7m)	50Hz	dB(A)	57
LpA (7m)	60Hz	dB(A)	69

MECHANICAL FEATURES

Cooling Pack	●
Air Filter	●
Mechanical Governor	●
Electronic Governor	x
High Coolant Temperature Sender	●
Low Oil Pressure Sender	●
Advanced Coolant Temperature Sender	x
Advanced Oil Pressure Sender	x
Oil Temperature Sender	x
Water Level Sender	x
Radiator Guards	●
Hot Component Guards	●
Manual Oil Drain Pump (Canopy)	●
Water Jacket Heater	x
Manual Fuel Fill	Δ
Electric Fuel Fill	x
Racor Fuel Filter (No Alarm)	x
Racor Fuel Filter (With Alarm)	x
Pre-Filter with Separator	x
External Spark Arrestor	Δ
Fuel Level Sender	●
Fuel Heater	Δ
External Fuel Fill (Belly Tank)	Δ
3 Way Fuel Valve and Coupling Nest	x
Residential Silencer	●
Industrial Silencer	x

Standard: ● Not Available: x Optional: Δ

ELECTRICAL FEATURES

AVR DSR	●
AVR DER	x
Winding Protection Standard	●
Winding Protection Standard +	Δ
Winding Protection Grey	Δ
Winding Protection Total	Δ
Winding Protection Total +	Δ
MAUX	●
PMG	Δ
Anti-Condensation Heater	Δ
Miniature Circuit Breaker (Integrated busbar)	●
Moulded Case Circuit Breaker (with integrated busbar)	x
Earth Leakage Protection (Shunt Trip)	●
Synchronisation	x
Socket Box (inclusive of heavy duty busbar & micro switch)	x
Preparation for Earth Spike	●
Optional Voltages	Δ
Remote Screen	x
Panel Door Micro Switch	x
Copper Busbar/Tails	x
Emergency Stop Button	●
External Emergency Stop Button	●

Standard: ● Not Available: x Optional: Δ

BATTERY FEATURES

Battery Isolator	Δ
Battery Type	Dry
Battery Size (Ah)	66
Number of Batteries	1
Optional Battery	Wet
Battery Charger	x

Standard: ● Not Available: x Optional: Δ

JCB COMMUNICATION AND CONTROL

KS1	Δ
CPI	●
CP2	Δ
ATP	Δ
CAN/USB	x
CAN/LAN	x
CAN RS-232	x
Remote Modem	x

Standard: ● Not Available: x Optional: Δ

WEIGHT AND DIMENSIONS

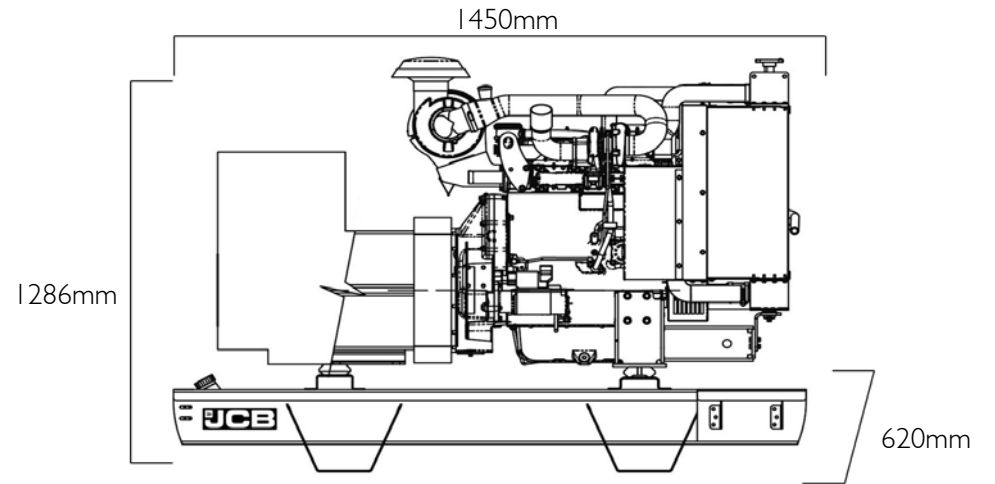
Length	mm	1475
Width	mm	750
Height	mm	1104
Shipping Volume (sea ready)	m ³	1.22
Weight*	Kg	506.00

*Standard build with all fluids except fuel

REFERENCE STANDARDS

JCB Generators are CE certified and conform to the following Directives (subject to a country requiring such standard):

- EN 12100, EN13857, EN60204
 - 2006/42/CE Machinery safety
 - 2006/95/EC Low voltage
 - 2004/108/CE Electromagnetic compatibility
 - 2000/14/EC Sound Power Level (amended by 2005/88/EC)
 - 97/68/EC Emissions(amended by 2002/88/EC & 2004/26/EC)
 - Power according to ISO 8528 and ISO 3046
 - Ambient reference conditions 1000mbar, 25°C, 30% relative humidity ISO3046
- Information based on standard specification equipment unless otherwise stated.



DIESEL GENERATOR

FUEL OPTIMISED

ELECTRICAL

Frequency (Hz)	Phases	Voltage (V)	Prime		Standby		MCB Rating (A)	Minimum ATP Rating (A)	Rated Speed (RPM)
			kVA	kW	kVA	kW			
50	3	400/230V	13.3	10.64	14.3	11.44	20	30	1500
60	3	380/220V	16.1	12.9	17.5	14.0	25	30	1800
60	3	220/127V	15.0	12.0	16.3	13.0	40	40	1800
60	3	480/277V	16.1	12.9	17.5	14.0	25	30	1800

POWER FACTOR

3 Phase	0.8
1 Phase	1

MAXIMUM LOAD IMPACT*

kVA	12.50
kW	10.00

*With 20% voltage and 10% frequency deviation @ 50Hz, 400V

ALL RATINGS ARE TO STANDARD REFERENCE CONDITIONS ISO 8528

Prime: This rating is for the supply of continuous electrical power, at variable load, in lieu of commercially purchase power. There is no limitation on the annual hours of operation and 10% over load power can be supplied for 1 hour in 12.

Standby: This rating is for the supply of continuous electrical power, at variable load, in the event of a utility power failure. No overload is permitted.

"Stage IIIa" models are only emissions compliant at 50Hz Prime Power in accordance with 97-68EC.

CANOPY/SKID

Lockable Maintenance Access Doors	x
Control Panel Viewing Window	x
Fork Pockets	●
Single Lift Point	x
Rental Sledging Base	x
Bunding	Δ
Open Frame	●
Bund Level Indicator	x
50mm Rock Wool Sound Insulation	x
Yellow Paint	x
Red Paint	x
White Paint	x

Standard: ● Not Available: x Optional: Δ

ALTERNATOR G13X

Poles	4
Winding Connections	Star (3Ph) / Parallel (1Ph)
Insulation	Class H
Enclosure	IP23
Exciter System	Self-excited, brushless
Voltage Regulator	A.V.R. (electronic)
Steady State Voltage Regulation	+/- 1.0%
Bearing	Single Bearing
Coupling	Flexible Disc
Cooling	Direct drive centrifugal blower fan
Coating	Winding Protection Standard

STARTING SYSTEM

Starter Motor	kW	1.10
Battery Capacity	Ah	66
Number of Batteries		1
Auxiliary Voltage	V	12

ENGINE

1500 RPM		
Output Rating (PRP)	kW	13.20
Output Rating (Standby)	kW	14.52
1800 RPM		
Output Rating (PRP)	kW	16.20
Output Rating (Standby)	kW	17.82
Manufacturer and Model	Yanmar 3TNV88BGGEH	
Fuel	Diesel	
Injection	Indirect	
Aspiration	Natural	
Cylinders	3	
Bore and Stroke	mm	76x82
Displacement	L	1.116
Cooling	Water	
Engine Oil Specification	SEA 3 class 10W30 / API grade CD,CF	
Compression Ratio	23.5:1	
Engine Oil Capacity	L	3.50
Coolant Capacity	L	3.70
Governor	Mechanical	
Air Filter	Dry	
Engine Oil Consumption	100% Load	0.27 g/kWh

FUEL SYSTEM

Diesel Specification		EN590
Standard Fuel Tank Capacity	L	60

FUEL TANK OPTIONS

	Material	Capacity (L)
Standard Tank	Plastic	60
Tank Option 1		
Tank Option 2		

FUEL CONSUMPTION

Load Condition	Unit	Frequency	Consumption
100% Load Prime	L/h	50Hz	3.18
75% Load Prime	L/h		2.50
50% Load Prime	L/h		1.80
100% Load Standby	L/h		3.51
100% Load Prime	L/h	60Hz	4.02
75% Load Prime	L/h		3.06
50% Load Prime	L/h		2.25
100% Load Standby	L/h		4.60

EXHAUST SYSTEM

Parameter	Unit	Frequency	Value
Maximum Temperature 100% Standby	°C	50Hz	390.00
Exhaust Gas Flow 100% Standby	m ³ /min		2.08
Maximum Allowed Back Pressure	mbar		9.80
Maximum Temperature 100% Standby	°C	60Hz	500.00
Exhaust Gas Flow 100% Standby	m ³ /min		4.03
Maximum Allowed Back Pressure	mbar		12.70
Exhaust Flange Size	mm	50.00	

AIR SYSTEM

Parameter	Unit	Frequency	Value
Intake Air Flow 100% Standby	m ³ /h	50Hz	66.50
Total Cooling Air Flow 100% Standby	m ³ /s		0.70
Alternator Fan Airflow	m ³ /s		0.09
Intake Air Flow 100% Standby	m ³ /h	60Hz	79.80
Total Cooling Air Flow 100% Standby	m ³ /s		0.753
Alternator Fan Airflow	m ³ /s		0.108

SOUND PRESSURE (CANOPY ONLY)

LpA (7m)	Frequency	Unit	Value
	50Hz	dB(A)	N/A
	60Hz	dB(A)	N/A

MECHANICAL FEATURES

Cooling Pack	●
Air Filter	●
Mechanical Governor	●
Electronic Governor	x
High Coolant Temperature Sender	●
Low Oil Pressure Sender	●
Advanced Coolant Temperature Sender	x
Advanced Oil Pressure Sender	x
Oil Temperature Sender	x
Water Level Sender	x
Radiator Guards	●
Hot Component Guards	●
Manual Oil Drain Pump (Canopy)	●
Water Jacket Heater	Δ
Manual Fuel Fill	Δ
Electric Fuel Fill	Δ
Racor Fuel Filter (No Alarm)	x
Racor Fuel Filter (With Alarm)	x
Pre-Filter with Separator	x
External Spark Arrestor	Δ
Fuel Level Sender	●
Fuel Heater	Δ
External Fuel Fill (Belly Tank)	●
3 Way Fuel Valve and Coupling Nest	Δ
Residential Silencer	Δ
Industrial Silencer	●

Standard: ● Not Available: x Optional: Δ

ELECTRICAL FEATURES

AVR DSR	●
AVR DER	x
Winding Protection Standard	●
Winding Protection Standard +	Δ
Winding Protection Grey	Δ
Winding Protection Total	Δ
Winding Protection Total +	Δ
MAUX	●
PMG	Δ
Anti-Condensation Heater	Δ
Miniature Circuit Breaker (Integrated busbar)	●
Moulded Case Circuit Breaker (with integrated busbar)	x
Earth Leakage Protection (Shunt Trip)	●
Synchronisation	x
Socket Box (inclusive of heavy duty busbar & micro switch)	x
Preparation for Earth Spike	●
Optional Voltages	Δ
Remote Screen	Δ
Panel Door Micro Switch	x
Copper Busbar/Tails	x
Emergency Stop Button	●
External Emergency Stop Button	x
Standard: ● Not Available: x Optional: Δ	

BATTERY FEATURES

Battery Isolator	Δ
Battery Type	Dry
Battery Size (Ah)	66
Number of Batteries	1
Optional Battery	Wet
Battery Charger	Δ
Standard: ● Not Available: x Optional: Δ	

JCB COMMUNICATION AND CONTROL

KS1	Δ
CPI	●
CP2	Δ
ATP	Δ
CAN/USB	x
CAN/LAN	x
CAN RS-232	x
Remote Modem	x
Standard: ● Not Available: x Optional: Δ	

WEIGHT AND DIMENSIONS

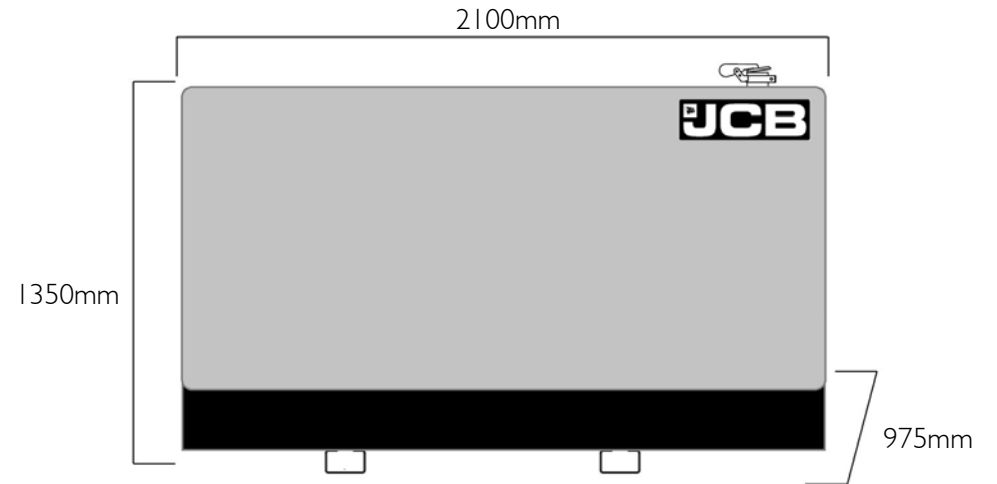
Length	mm	1450
Width	mm	620
Height	mm	1286
Shipping Volume (sea ready)	m ³	1.16
Weight*	Kg	338.00

*Standard build with all fluids except fuel

REFERENCE STANDARDS

JCB Generators are CE certified and conform to the following Directives (subject to a country requiring such standard):

- EN 12100, EN13857, EN60204
 - 2006/42/CE Machinery safety
 - 2006/95/EC Low voltage
 - 2004/108/CE Electromagnetic compatibility
 - 2000/14/EC Sound Power Level (amended by 2005/88/EC)
 - 97/68/EC Emissions(amended by 2002/88/EC & 2004/26/EC)
 - Power according to ISO 8528 and ISO 3046
 - Ambient reference conditions 1000mbar, 25°C, 30% relative humidity ISO3046
- Information based on standard specification equipment unless otherwise stated.



DIESEL GENERATOR

FUEL OPTIMISED

ELECTRICAL

Frequency (Hz)	Phases	Voltage (V)	Prime		Standby		MCB Rating (A)	Minimum ATP Rating (A)	Rated Speed (RPM)
			kVA	kW	kVA	kW			
50	3	400/230V	17.0	13.6	18.0	14.4	25	30	1500
60	3	380/220V	20.4	16.3	21.6	17.3	32	40	1800
60	3	220/127V	18.6	14.9	19.8	15.8	50	63	1800
60	3	480/277V	20.4	16.3	21.6	17.3	50	50	1800

POWER FACTOR

3 Phase	0.8
1 Phase	1

MAXIMUM LOAD IMPACT*

kVA	17.10
kW	13.70

*With 20% voltage and 10% frequency deviation @ 50Hz, 400V

ALL RATINGS ARE TO STANDARD REFERENCE CONDITIONS ISO 8528

Prime: This rating is for the supply of continuous electrical power, at variable load, in lieu of commercially purchase power. There is no limitation on the annual hours of operation and 10% over load power can be supplied for 1 hour in 12.

Standby: This rating is for the supply of continuous electrical power, at variable load, in the event of a utility power failure. No overload is permitted.

"Stage IIIa" models are only emissions compliant at 50Hz Prime Power in accordance with 97-68EC.

CANOPY/SKID

Lockable Maintenance Access Doors	●
Control Panel Viewing Window	●
Fork Pockets	●
Single Lift Point	●
Rental Sledging Base	x
Bunding	●
Open Frame	x
Bund Level Indicator	Δ
50mm Rock Wool Sound Insulation	x
Yellow Paint	●
Red Paint	Δ
White Paint	Δ

Standard: ● Not Available: x Optional: Δ

ALTERNATOR GI7QX

Poles	4
Winding Connections	Star (3Ph) / Parallel (1Ph)
Insulation	Class H
Enclosure	IP23
Exciter System	Self-regulating brushless
Voltage Regulator	AVR
Steady State Voltage Regulation	+/- 1.0%
Bearing	Single bearing sealed
Coupling	Flexible disc
Cooling	Direct drive centrifugal blower fan
Coating	Winding Protection Standard +

STARTING SYSTEM

Starter Motor	kW	1.40
Battery Capacity	Ah	92
Number of Batteries		1
Auxiliary Voltage	V	12

ENGINE

1500 RPM		
Output Rating (PRP)	kW	14.80
Output Rating (Standby)	kW	15.80
1800 RPM		
Output Rating (PRP)	kW	17.70
Output Rating (Standby)	kW	19.20
Manufacturer and Model	Yanmar 4TNV88BGGEH	
Fuel	Diesel	
Injection	Direct	
Aspiration	Natural	
Cylinders	4	
Bore and Stroke	mm	88 x 90
Displacement	L	2.19
Cooling	Water	
Engine Oil Specification	SAE 3 Class 10W30 / IPE Grade CD,CF	
Compression Ratio	19:1	
Engine Oil Capacity	L	7.40
Coolant Capacity	L	5.50
Governor	Mechanical	
Air Filter	Dry	
Engine Oil Consumption	100% Load	0.27 g/kWh

FUEL SYSTEM

Diesel Specification		EN590
Standard Fuel Tank Capacity	L	100

FUEL TANK OPTIONS

	Material	Capacity (L)
Standard Tank	Plastic	100
Tank Option 1	Steel	190
Tank Option 2		

FUEL CONSUMPTION

Load Condition	Unit	Frequency	Consumption
100% Load Prime	L/h	50Hz	4.27
75% Load Prime	L/h		3.29
50% Load Prime	L/h		2.40
100% Load Standby	L/h		4.63
100% Load Prime	L/h	60Hz	6.06
75% Load Prime	L/h		3.80
50% Load Prime	L/h		3.33
100% Load Standby	L/h		6.41

EXHAUST SYSTEM

Parameter	Unit	Frequency	Value
Maximum Temperature 100% Standby	°C	50Hz	470.00
Exhaust Gas Flow 100% Standby	m ³ /min		4.24
Maximum Allowed Back Pressure	mbar		127.00
Maximum Temperature 100% Standby	°C	60Hz	530.00
Exhaust Gas Flow 100% Standby	m ³ /min		5.59
Maximum Allowed Back Pressure	mbar		1300.00
Exhaust Flange Size	mm	50.00	

AIR SYSTEM

Parameter	Unit	Frequency	Value
Intake Air Flow 100% Standby	m ³ /h	50Hz	88.70
Total Cooling Air Flow 100% Standby	m ³ /s		0.80
Alternator Fan Airflow	m ³ /s		0.09
Intake Air Flow 100% Standby	m ³ /h	60Hz	106.43
Total Cooling Air Flow 100% Standby	m ³ /s		0.987
Alternator Fan Airflow	m ³ /s		0.108

SOUND PRESSURE (CANOPY ONLY)

LpA (7m)	Frequency	Unit	Value
	50Hz	dB(A)	56
	60Hz	dB(A)	69

MECHANICAL FEATURES

Cooling Pack	●
Air Filter	●
Mechanical Governor	●
Electronic Governor	x
High Coolant Temperature Sender	●
Low Oil Pressure Sender	●
Advanced Coolant Temperature Sender	Δ
Advanced Oil Pressure Sender	Δ
Oil Temperature Sender	x
Water Level Sender	x
Radiator Guards	●
Hot Component Guards	●
Manual Oil Drain Pump (Canopy)	●
Water Jacket Heater	●
Manual Fuel Fill	Δ
Electric Fuel Fill	Δ
Racor Fuel Filter (No Alarm)	Δ
Racor Fuel Filter (With Alarm)	Δ
Pre-Filter with Separator	x
External Spark Arrestor	Δ
Fuel Level Sender	●
Fuel Heater	Δ
External Fuel Fill (Belly Tank)	Δ
3 Way Fuel Valve and Coupling Nest	Δ
Residential Silencer	●
Industrial Silencer	x

Standard: ● Not Available: x Optional: Δ

ELECTRICAL FEATURES

AVR DSR	●
AVR DER	x
Winding Protection Standard	x
Winding Protection Standard +	●
Winding Protection Grey	Δ
Winding Protection Total	Δ
Winding Protection Total +	Δ
MAUX	●
PMG	Δ
Anti-Condensation Heater	Δ
Miniature Circuit Breaker (Integrated busbar)	●
Moulded Case Circuit Breaker (with integrated busbar)	x
Earth Leakage Protection (Shunt Trip)	●
Synchronisation	x
Socket Box (inclusive of heavy duty busbar & micro switch)	Δ
Preparation for Earth Spike	●
Optional Voltages	Δ
Remote Screen	Δ
Panel Door Micro Switch	Δ
Copper Busbar/Tails	Δ
Emergency Stop Button	●
External Emergency Stop Button	●

Standard: ● Not Available: x Optional: Δ

BATTERY FEATURES

Battery Isolator	Δ
Battery Type	Dry
Battery Size (Ah)	66
Number of Batteries	1
Optional Battery	Wet
Battery Charger	●

Standard: ● Not Available: x Optional: Δ

JCB COMMUNICATION AND CONTROL

KS1	Δ
CPI	●
CP2	Δ
ATP	Δ
CAN/USB	Δ
CAN/LAN	Δ
CAN RS-232	Δ
Remote Modem	Δ

Standard: ● Not Available: x Optional: Δ

WEIGHT AND DIMENSIONS

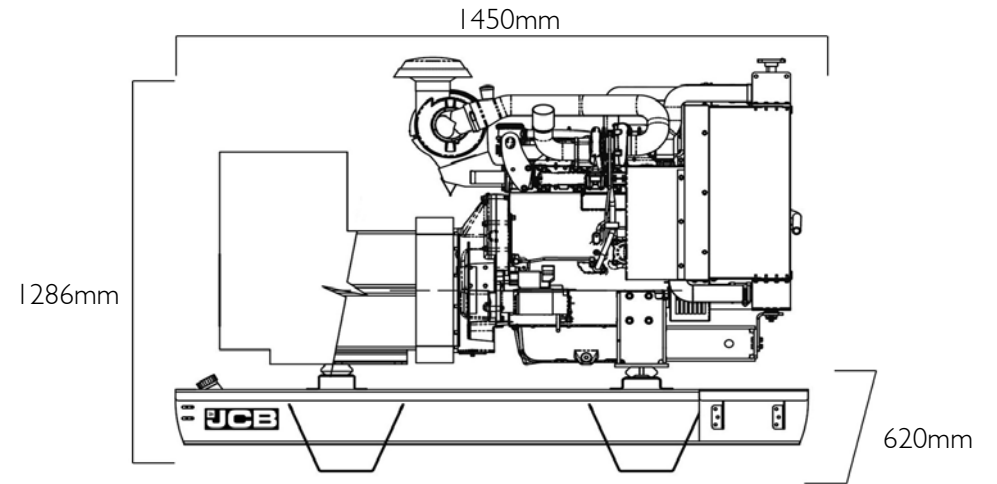
Length	mm	2100
Width	mm	975
Height	mm	1350
Shipping Volume (sea ready)	m ³	2.76
Weight*	Kg	765.00

**Standard build with all fluids except fuel*

REFERENCE STANDARDS

JCB Generators are CE certified and conform to the following Directives (subject to a country requiring such standard):

- EN 12100, EN13857, EN60204
 - 2006/42/CE Machinery safety
 - 2006/95/EC Low voltage
 - 2004/108/CE Electromagnetic compatibility
 - 2000/14/EC Sound Power Level (amended by 2005/88/EC)
 - 97/68/EC Emissions(amended by 2002/88/EC & 2004/26/EC)
 - Power according to ISO 8528 and ISO 3046
 - Ambient reference conditions 1000mbar, 25°C, 30% relative humidity ISO3046
- Information based on standard specification equipment unless otherwise stated.



DIESEL GENERATOR

FUEL OPTIMISED

ELECTRICAL

Frequency (Hz)	Phases	Voltage (V)	Prime		Standby		MCB Rating (A)	Minimum ATP Rating (A)	Rated Speed (RPM)
			kVA	kW	kVA	kW			
50	3	400/230V	17.0	13.6	18.0	14.4	25	30	1500
60	3	380/220V	20.4	16.3	21.6	17.3	32	40	1800
60	3	220/127V	18.6	14.9	19.8	15.8	50	63	1800
60	3	480/277V	20.4	16.3	21.6	17.3	50	50	1800

POWER FACTOR

3 Phase	0.8
1 Phase	1

MAXIMUM LOAD IMPACT*

kVA	17.10
kW	13.70

*With 20% voltage and 10% frequency deviation @ 50Hz, 400V

ALL RATINGS ARE TO STANDARD REFERENCE CONDITIONS ISO 8528

Prime: This rating is for the supply of continuous electrical power, at variable load, in lieu of commercially purchase power. There is no limitation on the annual hours of operation and 10% over load power can be supplied for 1 hour in 12.

Standby: This rating is for the supply of continuous electrical power, at variable load, in the event of a utility power failure. No overload is permitted.

"Stage IIIa" models are only emissions compliant at 50Hz Prime Power in accordance with 97-68EC.

CANOPY/SKID

Lockable Maintenance Access Doors	x
Control Panel Viewing Window	x
Fork Pockets	●
Single Lift Point	x
Rental Sledging Base	x
Bunding	Δ
Open Frame	●
Bund Level Indicator	x
50mm Rock Wool Sound Insulation	x
Yellow Paint	x
Red Paint	x
White Paint	x

Standard: ● Not Available: x Optional: Δ

ALTERNATOR G17X

Poles	4
Winding Connections	Star (3Ph) / Parallel (1Ph)
Insulation	Class H
Enclosure	IP23
Exciter System	Self-regulating brushless
Voltage Regulator	AVR
Steady State Voltage Regulation	+/- 1.0%
Bearing	Single bearing sealed
Coupling	Flexible disc
Cooling	Direct drive centrifugal blower fan
Coating	Winding Protection Standard +

STARTING SYSTEM

Starter Motor	kW	1.40
Battery Capacity	Ah	92
Number of Batteries		1
Auxiliary Voltage	V	12

ENGINE

1500 RPM		
Output Rating (PRP)	kW	14.80
Output Rating (Standby)	kW	15.80
1800 RPM		
Output Rating (PRP)	kW	17.70
Output Rating (Standby)	kW	19.20
Manufacturer and Model	Yanmar 4TNV88BGGEH	
Fuel	Diesel	
Injection	Direct	
Aspiration	Natural	
Cylinders	4	
Bore and Stroke	mm	88 x 90
Displacement	L	2.19
Cooling	Water	
Engine Oil Specification	SAE 3 Class 10W30 / IPE Grade CD,CF	
Compression Ratio	19:1	
Engine Oil Capacity	L	7.40
Coolant Capacity	L	5.50
Governor	Mechanical	
Air Filter	Dry	
Engine Oil Consumption	100% Load	0.27 g/kWh

FUEL SYSTEM

Diesel Specification		EN590
Standard Fuel Tank Capacity	L	60

FUEL TANK OPTIONS

	Material	Capacity (L)
Standard Tank	Plastic	60
Tank Option 1		
Tank Option 2		

FUEL CONSUMPTION

Load Condition	Unit	Frequency	Consumption
100% Load Prime	L/h	50Hz	4.27
75% Load Prime	L/h		3.29
50% Load Prime	L/h		2.40
100% Load Standby	L/h		4.63
100% Load Prime	L/h	60Hz	6.06
75% Load Prime	L/h		3.80
50% Load Prime	L/h		3.33
100% Load Standby	L/h		6.41

EXHAUST SYSTEM

Parameter	Unit	Frequency	Value
Maximum Temperature 100% Standby	°C	50Hz	470.00
Exhaust Gas Flow 100% Standby	m ³ /min		4.24
Maximum Allowed Back Pressure	mbar		127.00
Maximum Temperature 100% Standby	°C	60Hz	530.00
Exhaust Gas Flow 100% Standby	m ³ /min		5.59
Maximum Allowed Back Pressure	mbar		1300.00
Exhaust Flange Size	mm	50.00	

AIR SYSTEM

Parameter	Unit	Frequency	Value
Intake Air Flow 100% Standby	m ³ /h	50Hz	88.70
Total Cooling Air Flow 100% Standby	m ³ /s		0.80
Alternator Fan Airflow	m ³ /s		0.09
Intake Air Flow 100% Standby	m ³ /h	60Hz	106.43
Total Cooling Air Flow 100% Standby	m ³ /s		0.987
Alternator Fan Airflow	m ³ /s		0.108

SOUND PRESSURE (CANOPY ONLY)

Frequency	Unit	Value
50Hz	LpA (7m)	N/A
60Hz	LpA (7m)	N/A

MECHANICAL FEATURES

Feature	Availability
Cooling Pack	●
Air Filter	●
Mechanical Governor	●
Electronic Governor	x
High Coolant Temperature Sender	●
Low Oil Pressure Sender	●
Advanced Coolant Temperature Sender	Δ
Advanced Oil Pressure Sender	Δ
Oil Temperature Sender	x
Water Level Sender	x
Radiator Guards	●
Hot Component Guards	●
Manual Oil Drain Pump (Canopy)	●
Water Jacket Heater	●
Manual Fuel Fill	Δ
Electric Fuel Fill	Δ
Racor Fuel Filter (No Alarm)	Δ
Racor Fuel Filter (With Alarm)	Δ
Pre-Filter with Separator	x
External Spark Arrestor	Δ
Fuel Level Sender	●
Fuel Heater	Δ
External Fuel Fill (Belly Tank)	●
3 Way Fuel Valve and Coupling Nest	Δ
Residential Silencer	Δ
Industrial Silencer	●

Standard: ● Not Available: x Optional: Δ

ELECTRICAL FEATURES

AVR DSR	●
AVR DER	x
Winding Protection Standard	x
Winding Protection Standard +	●
Winding Protection Grey	Δ
Winding Protection Total	Δ
Winding Protection Total +	Δ
MAUX	●
PMG	Δ
Anti-Condensation Heater	Δ
Miniature Circuit Breaker (Integrated busbar)	●
Moulded Case Circuit Breaker (with integrated busbar)	x
Earth Leakage Protection (Shunt Trip)	●
Synchronisation	x
Socket Box (inclusive of heavy duty busbar & micro switch)	x
Preparation for Earth Spike	●
Optional Voltages	Δ
Remote Screen	Δ
Panel Door Micro Switch	x
Copper Busbar/Tails	x
Emergency Stop Button	●
External Emergency Stop Button	x
Standard: ● Not Available: x Optional: Δ	

BATTERY FEATURES

Battery Isolator	Δ
Battery Type	Dry
Battery Size (Ah)	66
Number of Batteries	1
Optional Battery	Wet
Battery Charger	●
Standard: ● Not Available: x Optional: Δ	

JCB COMMUNICATION AND CONTROL

KS1	Δ
CPI	●
CP2	Δ
ATP	Δ
CAN/USB	Δ
CAN/LAN	Δ
CAN RS-232	Δ
Remote Modem	Δ
Standard: ● Not Available: x Optional: Δ	

WEIGHT AND DIMENSIONS

Length	mm	1450
Width	mm	620
Height	mm	1286
Shipping Volume (sea ready)	m ³	1.16
Weight*	Kg	409.00

**Standard build with all fluids except fuel*

REFERENCE STANDARDS

JCB Generators are CE certified and conform to the following Directives (subject to a country requiring such standard):

- EN 12100, EN13857, EN60204
 - 2006/42/CE Machinery safety
 - 2006/95/EC Low voltage
 - 2004/108/CE Electromagnetic compatibility
 - 2000/14/EC Sound Power Level (amended by 2005/88/EC)
 - 97/68/EC Emissions(amended by 2002/88/EC & 2004/26/EC)
 - Power according to ISO 8528 and ISO 3046
 - Ambient reference conditions 1000mbar, 25°C, 30% relative humidity ISO3046
- Information based on standard specification equipment unless otherwise stated.